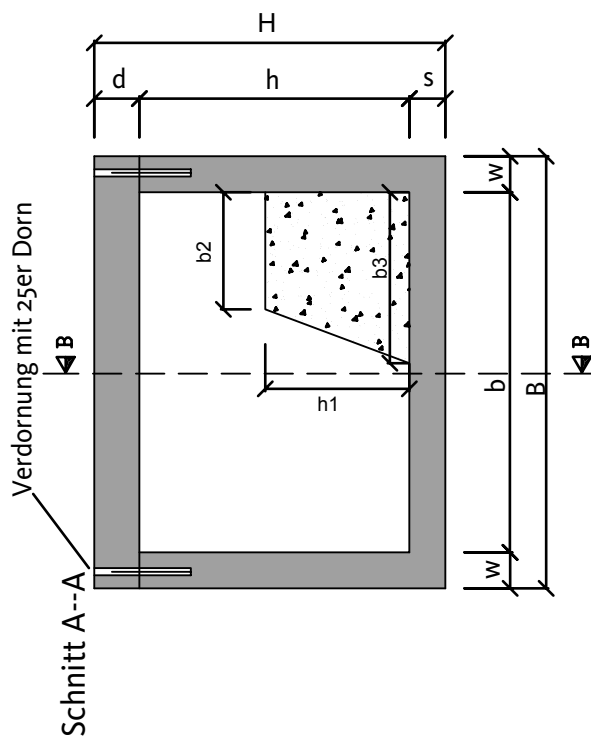


Bauseitige Maßangaben

- | | |
|------------------|------------------|
| $l_1 =$ _____ cm | $b_2 =$ _____ cm |
| $l_2 =$ _____ cm | $b_3 =$ _____ cm |
| $l_3 =$ _____ cm | $h =$ _____ cm |
| $l_4 =$ _____ cm | $H =$ _____ cm |
| $L =$ _____ cm | $h_1 =$ _____ cm |
| $f_1 =$ _____ cm | $d =$ _____ cm |
| $f_2 =$ _____ cm | $s =$ _____ cm |
| $F =$ _____ cm | $s_1 =$ _____ cm |
| $b =$ _____ cm | $w =$ _____ cm |
| $B =$ _____ cm | |



Böschungsneigung _____ °